


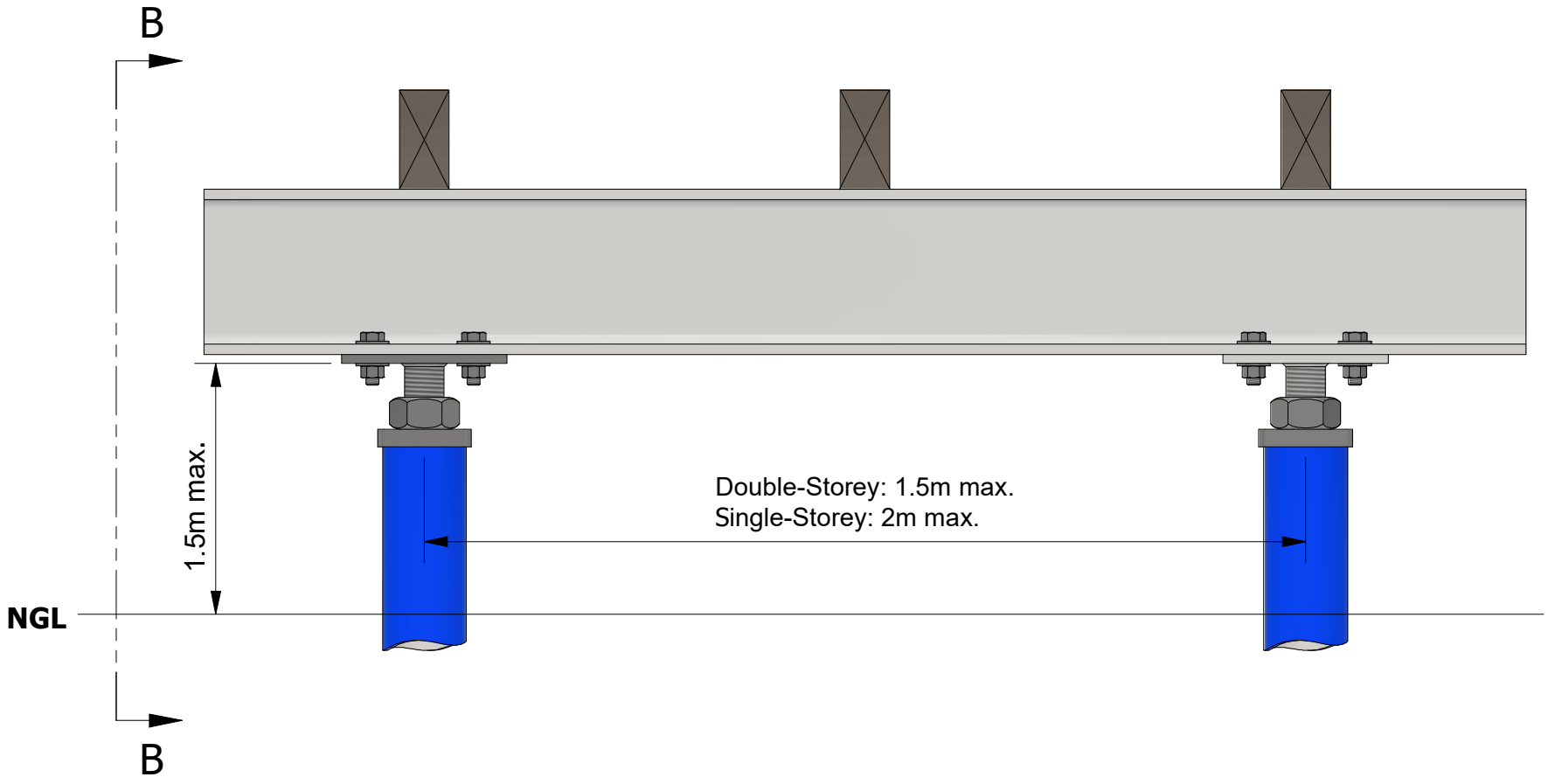
PLAN VIEW

KEY ASPECTS TO NOTE:

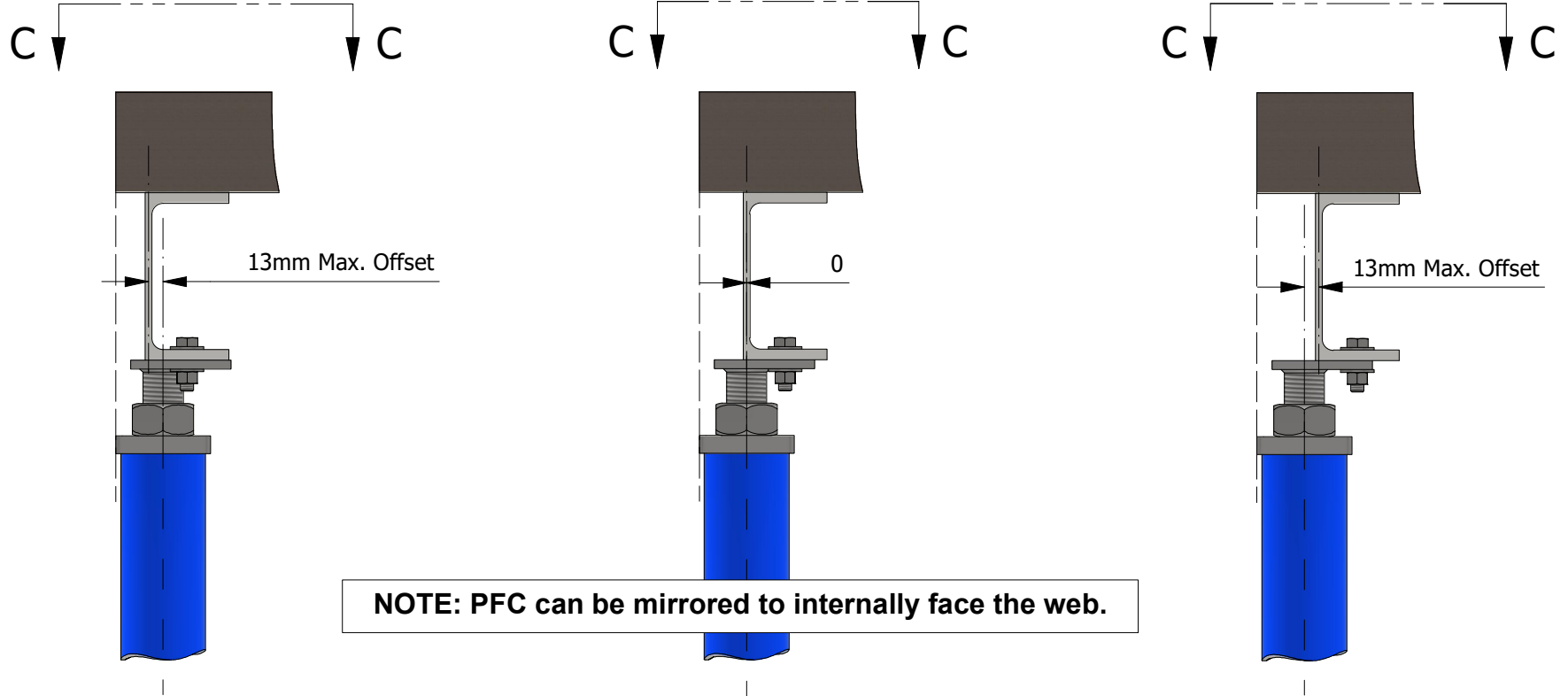
- The Katana Raised Floor System allows for a maximum SWL of 80kN.
- Ensure all loads are positioned at the centre of the piles, with a permissible offset of $\pm 13\text{mm}$.
- A lock nut must be installed on each pile within the raised floor systems.
- A general guideline is to maintain Katana Raised Floor Systems at a height no greater than 1.5m above the ground.
- For double-storey structures, the Katana Raised Floor Pile spacing should not exceed 1.5m, while for single-storey buildings, it should not exceed 2m.
- The default coating system for the Katana Raised Floor System exposed to environments with corrosivity factors C1, C2 and C3 is galvanising.
- Collaborate with Katana to ensure the appropriate setout of piles and confirm their locations during and after installation completion.

DRAWN JL		15/04/2024			
CHECKED MA		15/04/2024			
TITLE				Typical Raised Floor System Plan	
SIZE A3	DWG NO PFC_000		REV A		
SCALE	1 / 12	2		SHEET 1 OF 5	

OPTION 2: 150x100 OFFSET SLOTTED BEARER PLATE



A-A VIEW



NOTE: PFC can be mirrored to internally face the web.

B-B VIEW

DRAWN	JL	10/05/2024
CHECKED	MA	10/05/2024



TITLE
Raised Floor & PFC Section Views - Sheet 3

SIZE	DWG NO	REV
A3	PFC_006	A
SCALE	1 / 6	SHEET 2 OF 5

6 5 4 3 2 1

D

D

C

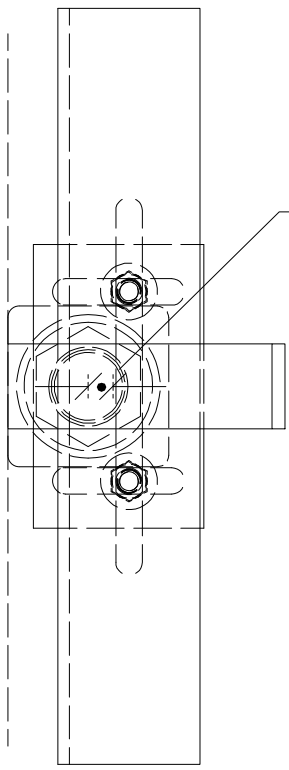
C

B

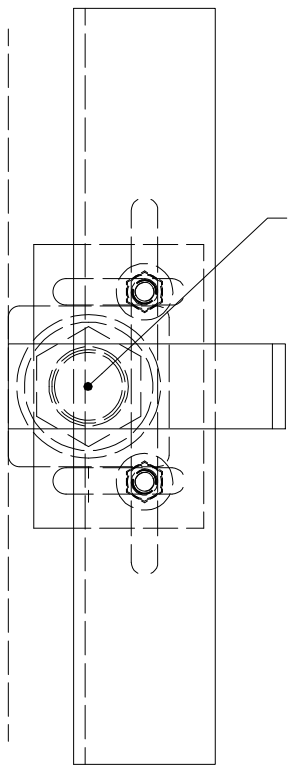
B

A

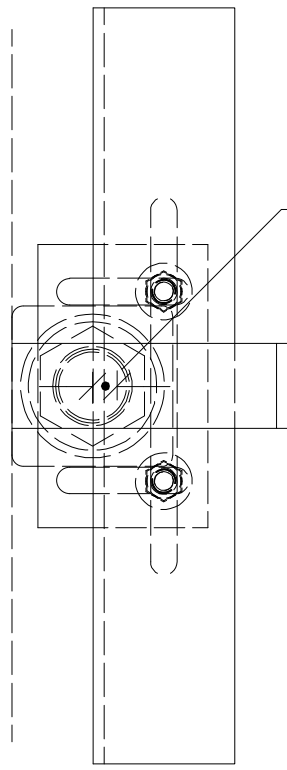
A



13mm Max. Offset



0



13mm Max. Offset

C-C VIEW

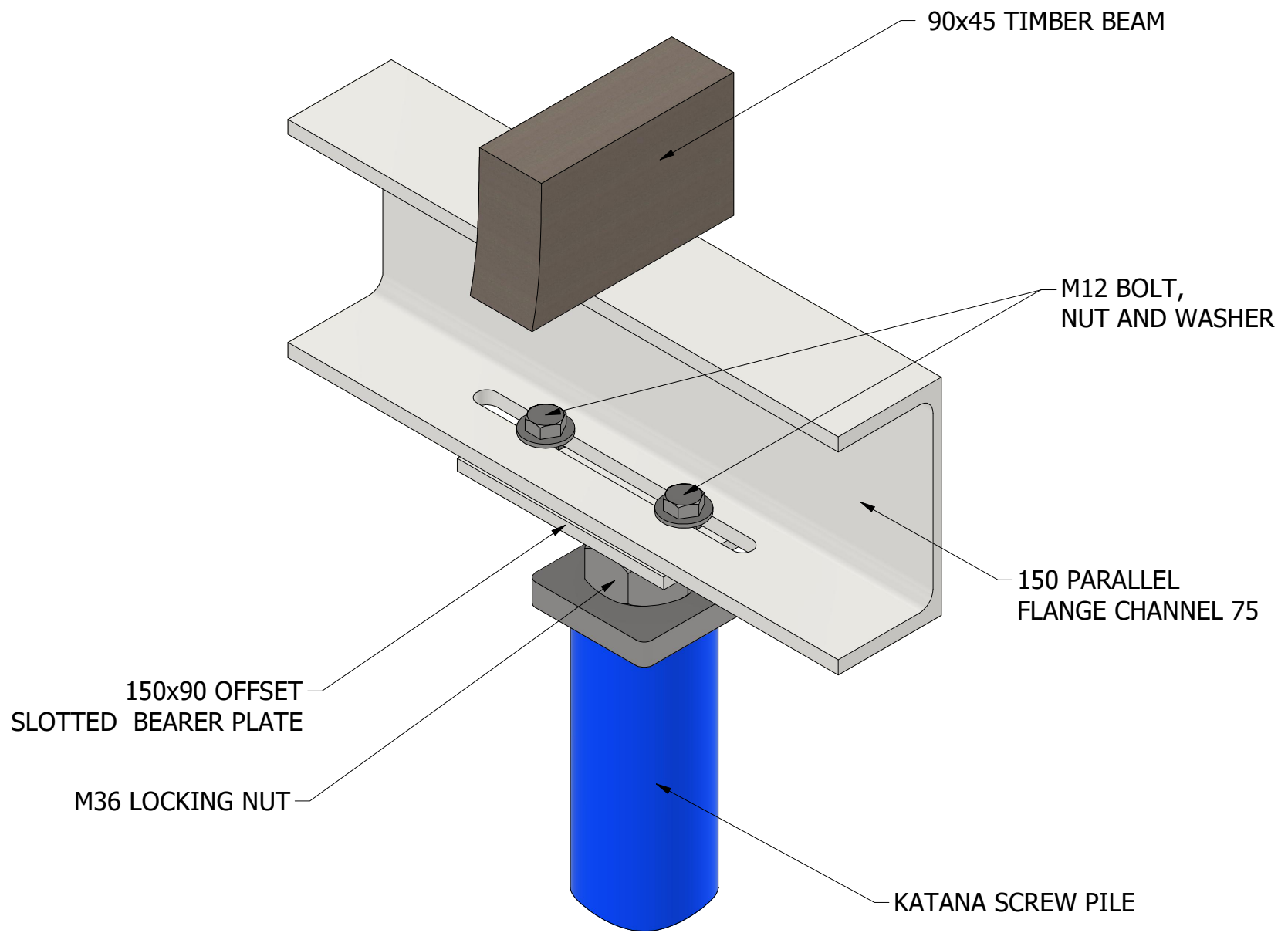
DRAWN	JL	8/05/2024
CHECKED	MA	8/05/2024




TITLE
Raised Floor & PFC Section Views - Sheet 4

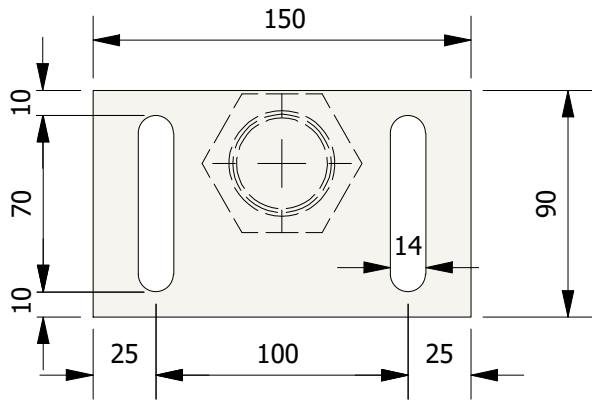
SIZE	DWG NO	REV
A3	PFC_007	A
SCALE	1 / 4	SHEET 3 OF 5

6 5 4 3 2 1

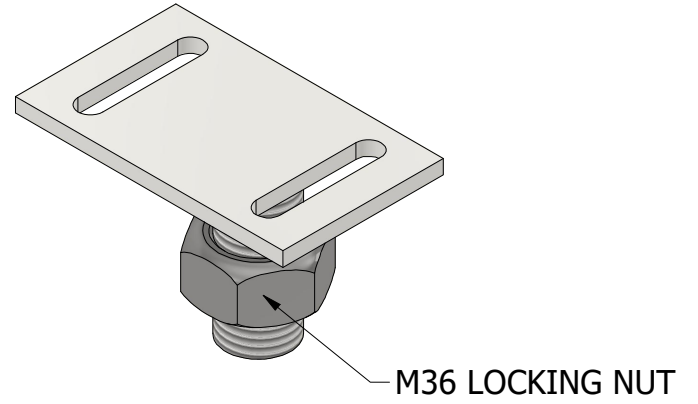


ISOMETRIC VIEW

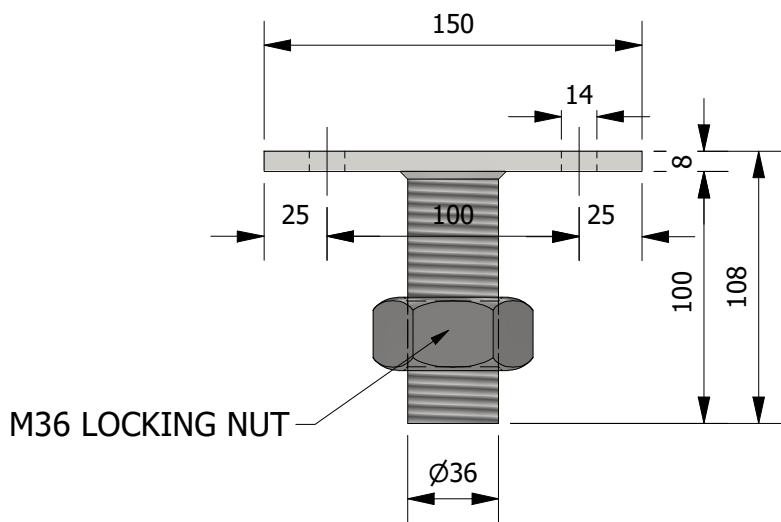
DRAWN		8/05/2024			
JL					
CHECKED		8/05/2024		TITLE	
MA				Raised Floor & PFC 3D Assembly View - Sheet 2	
SIZE		DWG NO		REV	
A3		PFC_008		A	
SCALE	1 / 3			SHEET 4 OF 5	



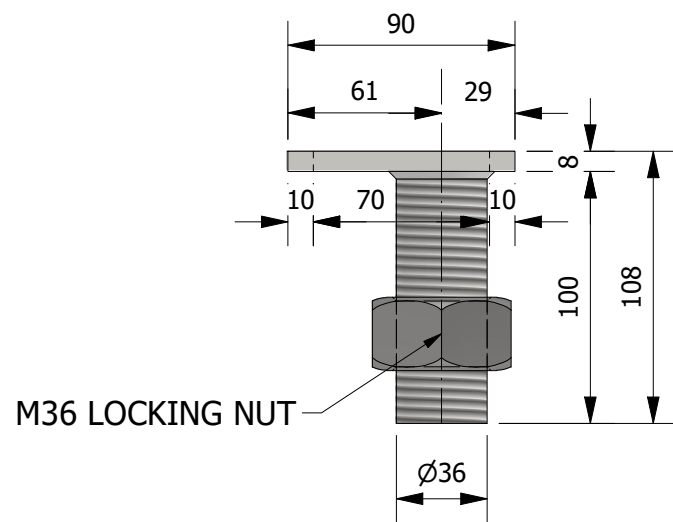
TOP VIEW




ISOMETRIC VIEW



FRONT VIEW



SIDE VIEW

DRAWN					
JL		9/05/2024			
CHECKED				TITLE 150x90 Offset Slotted Bearer Plate	
MA		9/05/2024			
SIZE		DWG NO		REV	
A3		PFC_009		A	
SCALE	1 / 3			SHEET	5 OF 5