


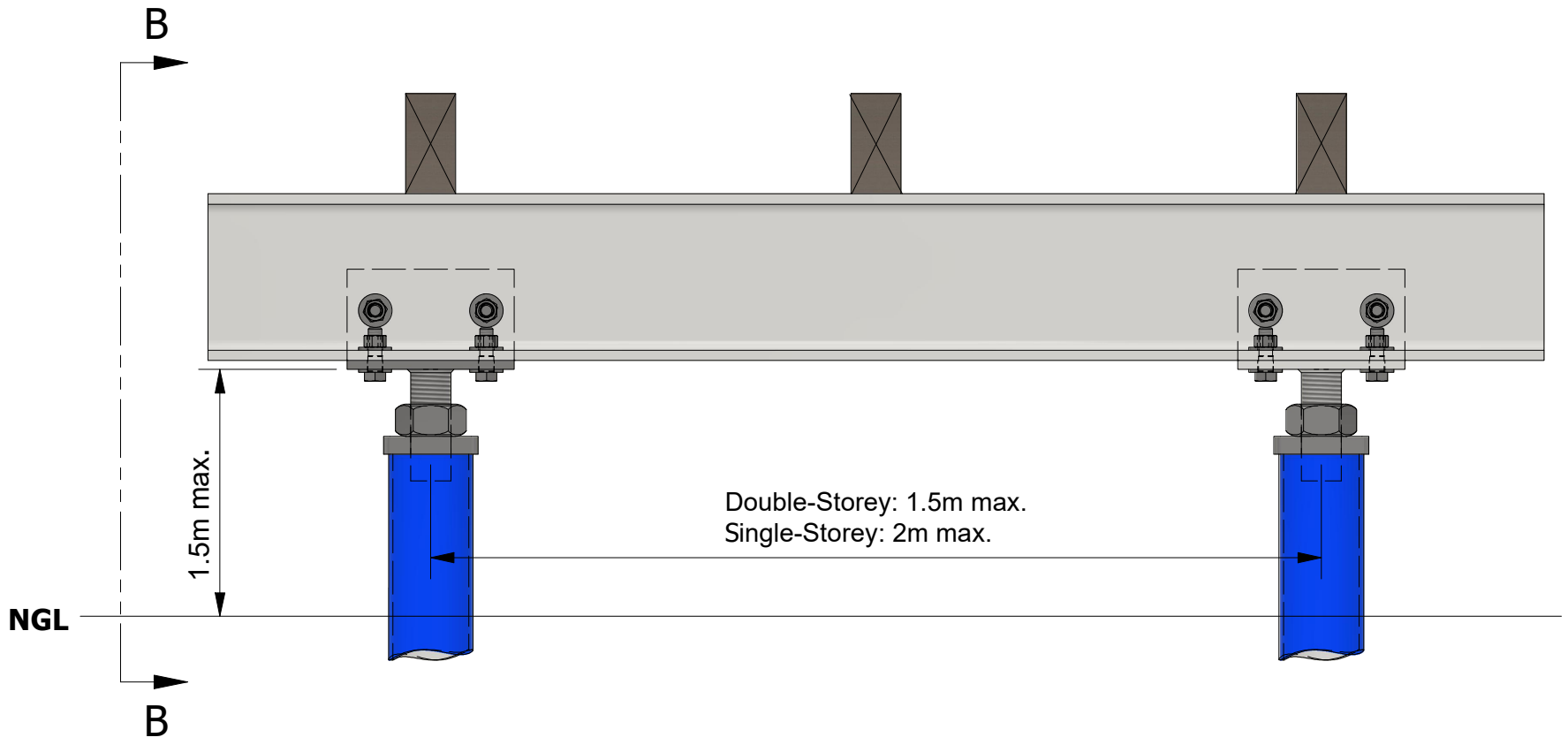
PLAN VIEW

KEY ASPECTS TO NOTE:

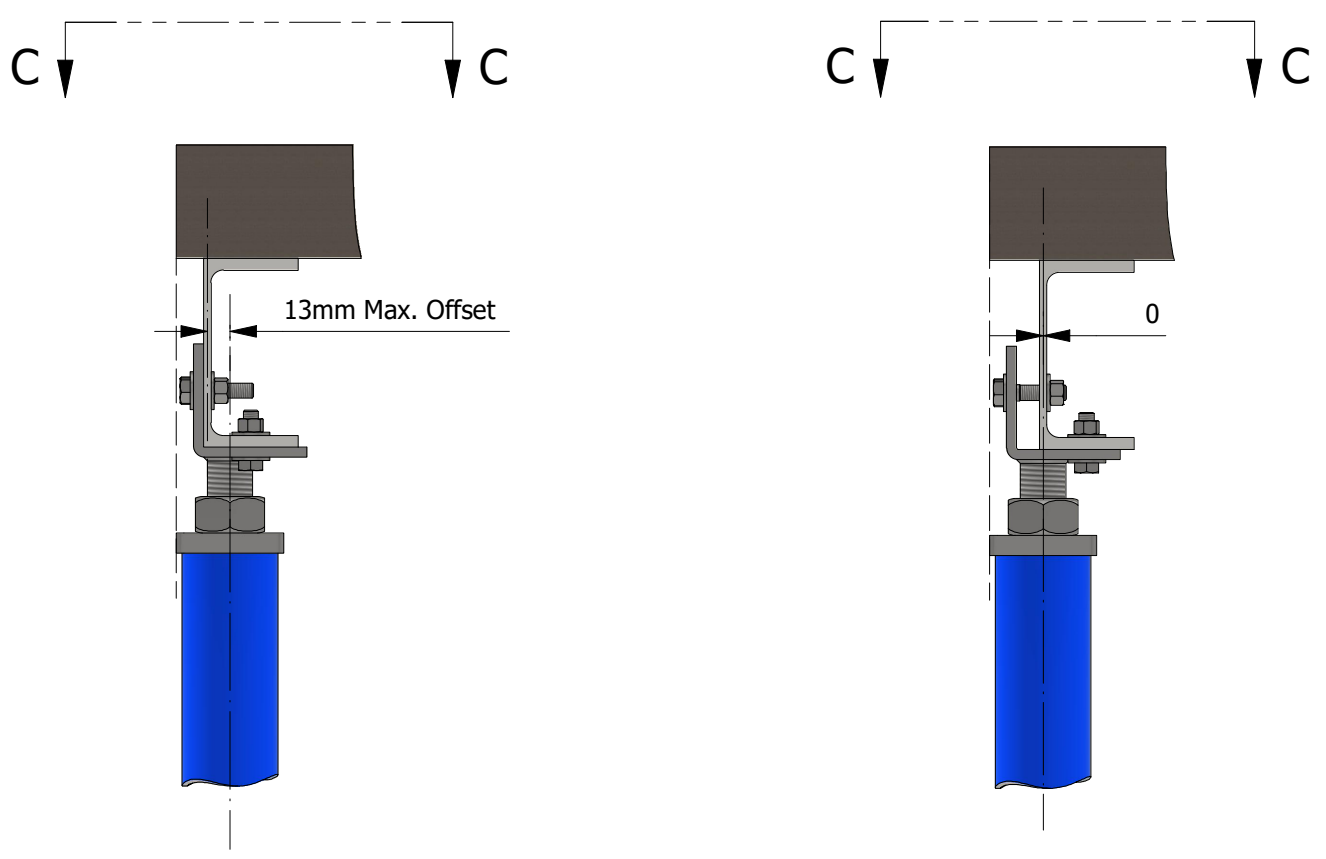
- The Katana Raised Floor System allows for a maximum SWL of 80kN.
- Ensure all loads are positioned at the centre of the piles, with a permissible offset of $\pm 13\text{mm}$.
- A lock nut must be installed on each pile within the raised floor systems.
- A general guideline is to maintain Katana Raised Floor Systems at a height no greater than 1.5m above the ground.
- For double-storey structures, the Katana Raised Floor Pile spacing should not exceed 1.5m, while for single-storey buildings, it should not exceed 2m.
- The default coating system for the Katana Raised Floor System exposed to environments with corrosivity factors C1, C2 and C3 is galvanising.
- Collaborate with Katana to ensure the appropriate setout of piles and confirm their locations during and after installation completion.

DRAWN JL		15/04/2024			
CHECKED MA		15/04/2024			
TITLE				Typical Raised Floor System Plan	
SIZE A3	DWG NO PFC_000		REV A		
SCALE	1 / 12	2		SHEET 1 OF 5	


OPTION 3: 90x90x8 (150 LONG) EQUAL ANGLE SLOTTED OFFSET BEARER PLATE CONNECTOR

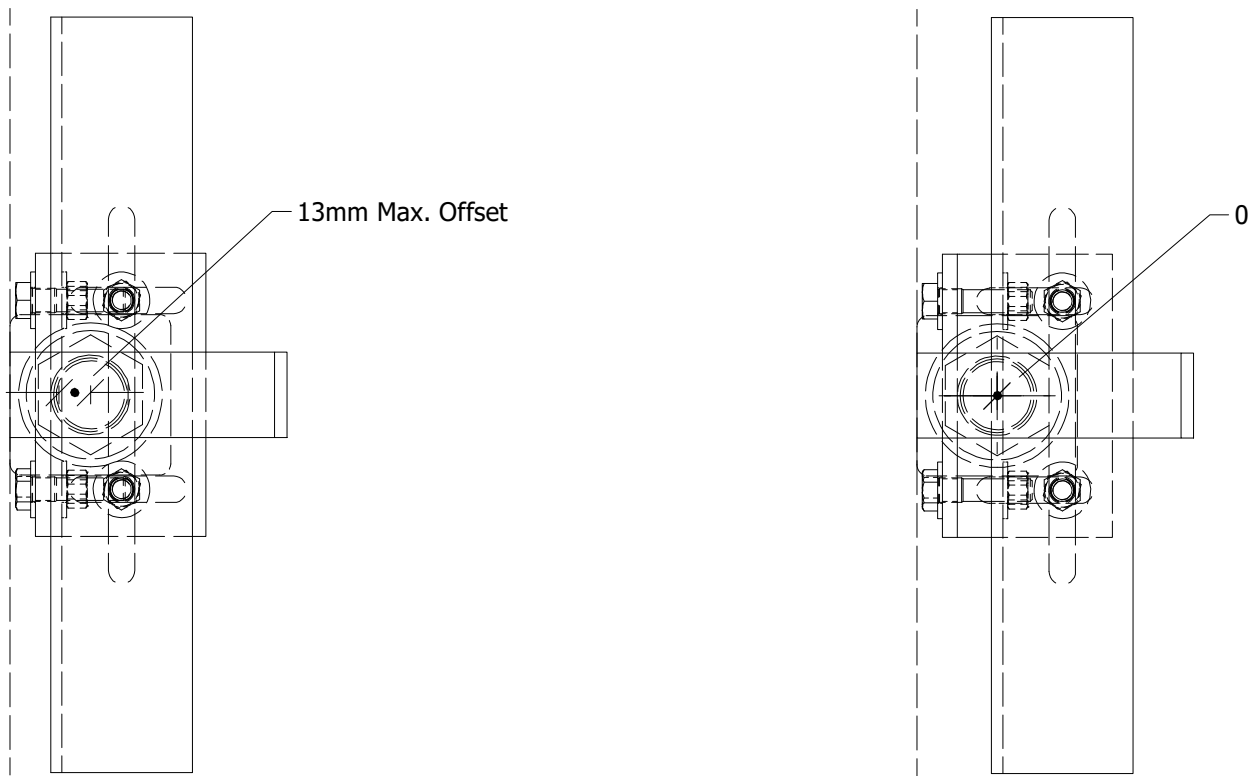


A-A VIEW



B-B VIEW


DRAWN		29/05/2024			
JL					
CHECKED		29/05/2024		TITLE	
MA				Raised Floor & PFC Section Views - Sheet 5	
SIZE		DWG NO		REV	
A3		PFC_010		A	
SCALE	1 / 6			SHEET 2 OF 5	

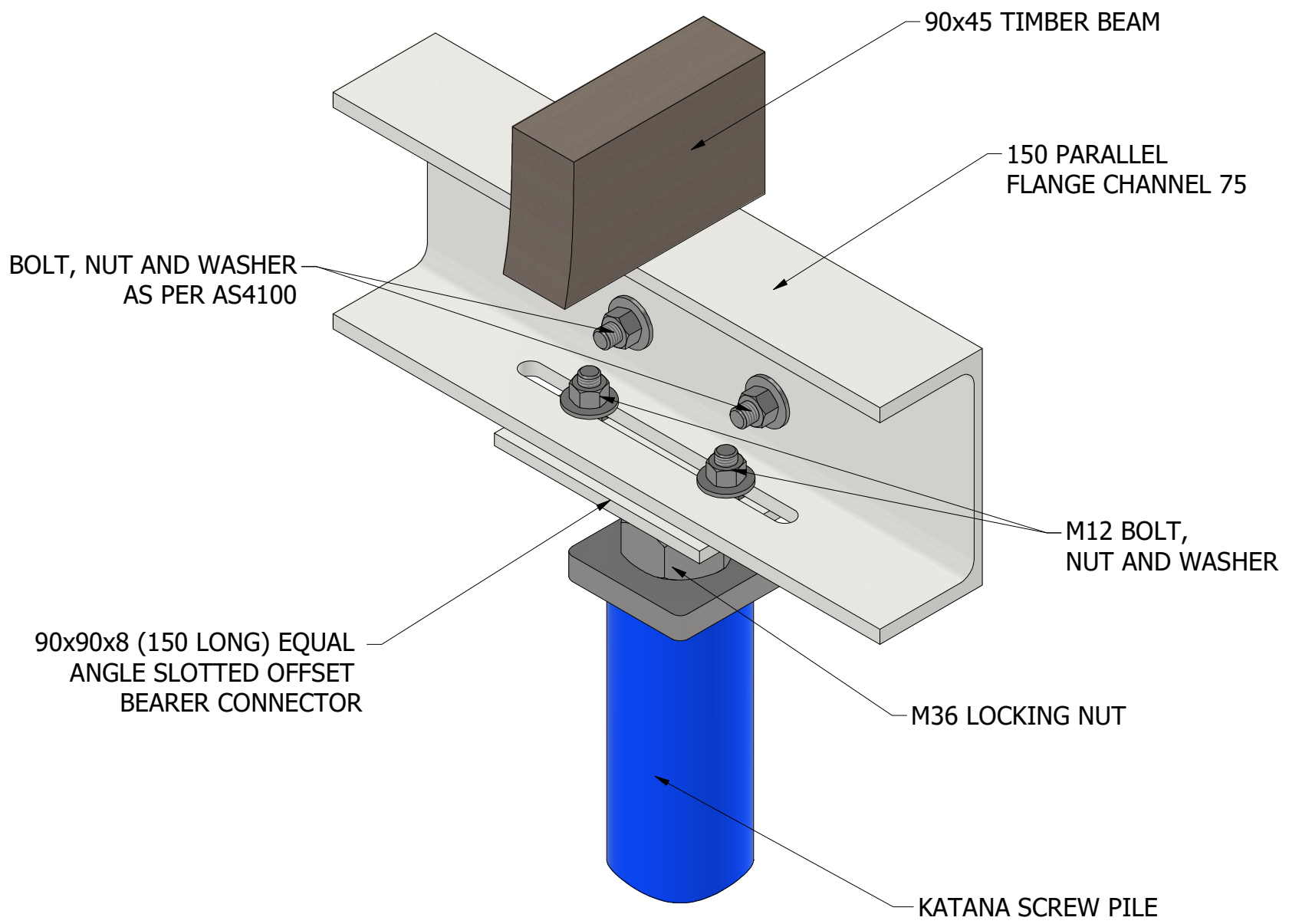


13mm Max. Offset


0

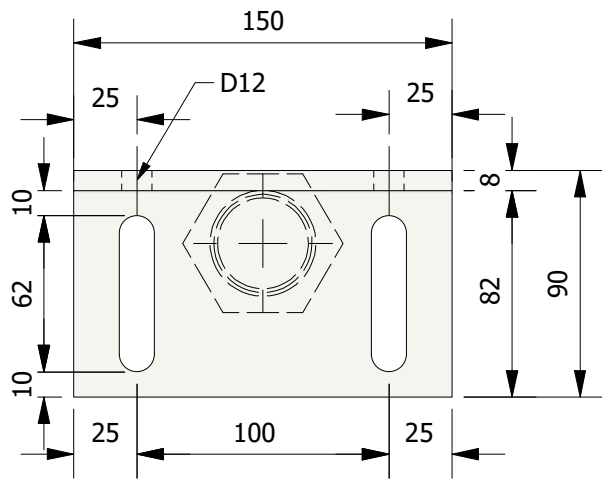
C-C VIEW

DRAWN		29/05/2024			
JL					
CHECKED		29/05/2024		TITLE	
MA				Raised Floor & PFC Section Views - Sheet 6	
SIZE		DWG NO		REV	
A3		PFC_011		A	
SCALE	1 / 4			SHEET 3 OF 5	

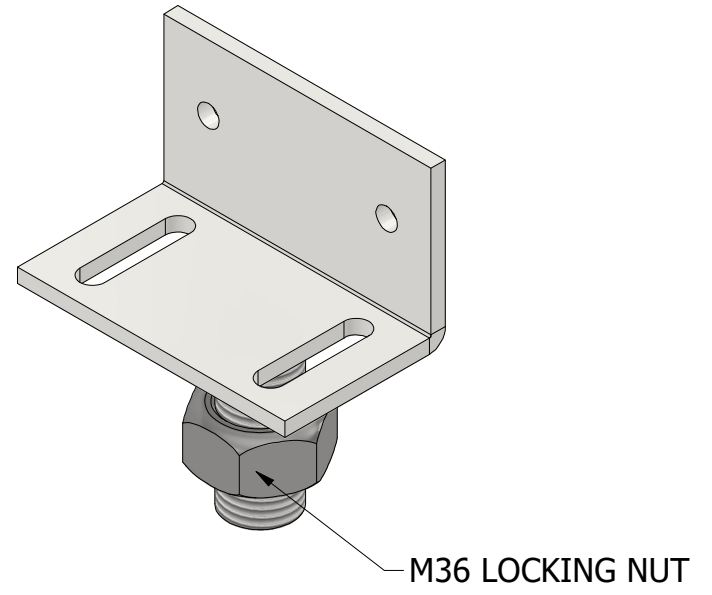


ISOMETRIC VIEW

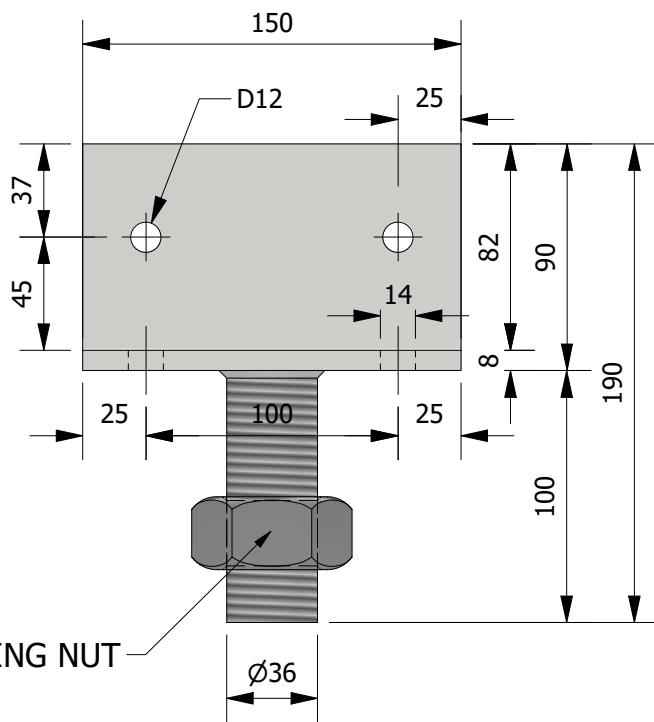
DRAWN		10/05/2024			
JL					
CHECKED		10/05/2024		TITLE	
MA				Raised Floor & PFC 3D Assembly View - Sheet 3	
SIZE		DWG NO		REV	
A3		PFC_012		A	
SCALE	1 / 3			SHEET 4 OF 5	



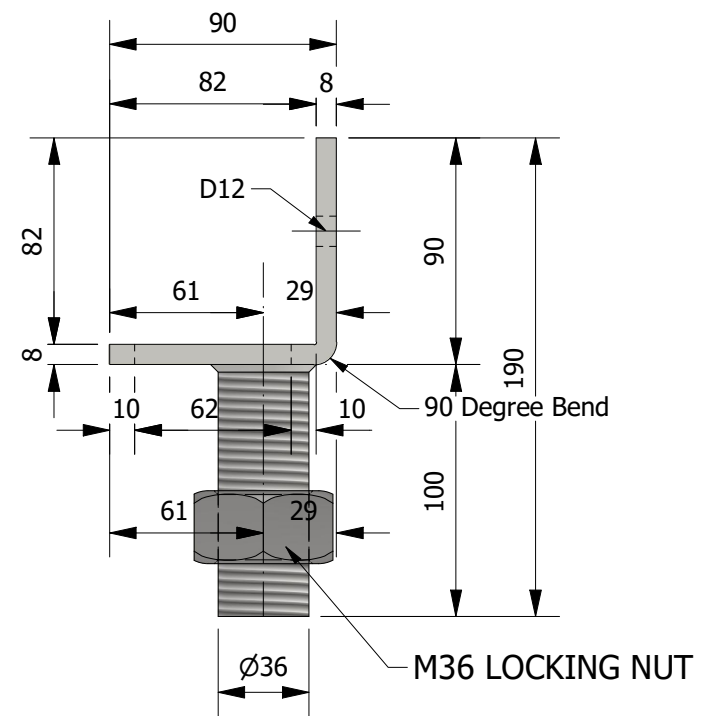
TOP VIEW




ISOMETRIC VIEW



FRONT VIEW



SIDE VIEW

DRAWN		10/05/2024			
JL					
CHECKED		10/05/2024		TITLE 90x90x8 (150 Long) Equal Angle Slotted Offset Bearer Connector	
MA					
SIZE		DWG NO		REV	
A3		PFC_013		A	
SCALE	1 / 3			SHEET	5 OF 5