


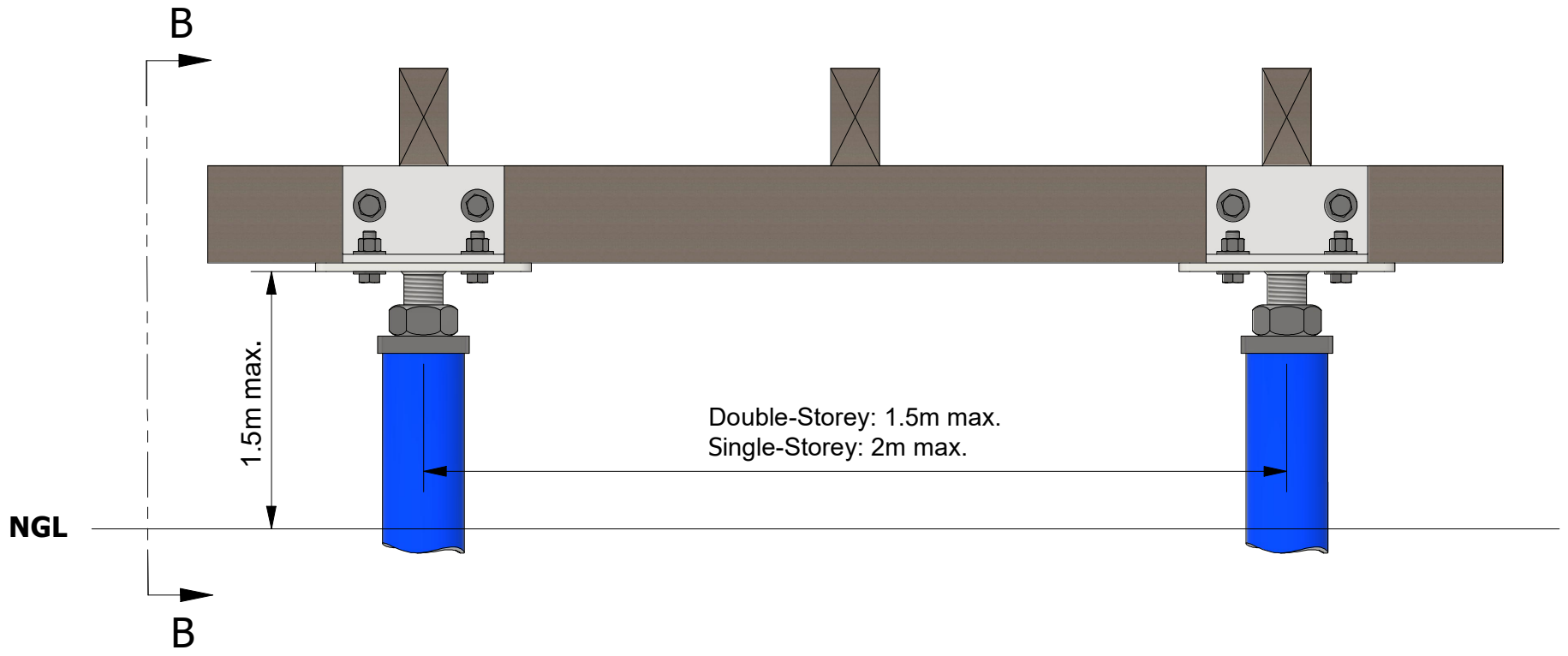
PLAN VIEW

KEY ASPECTS TO NOTE:

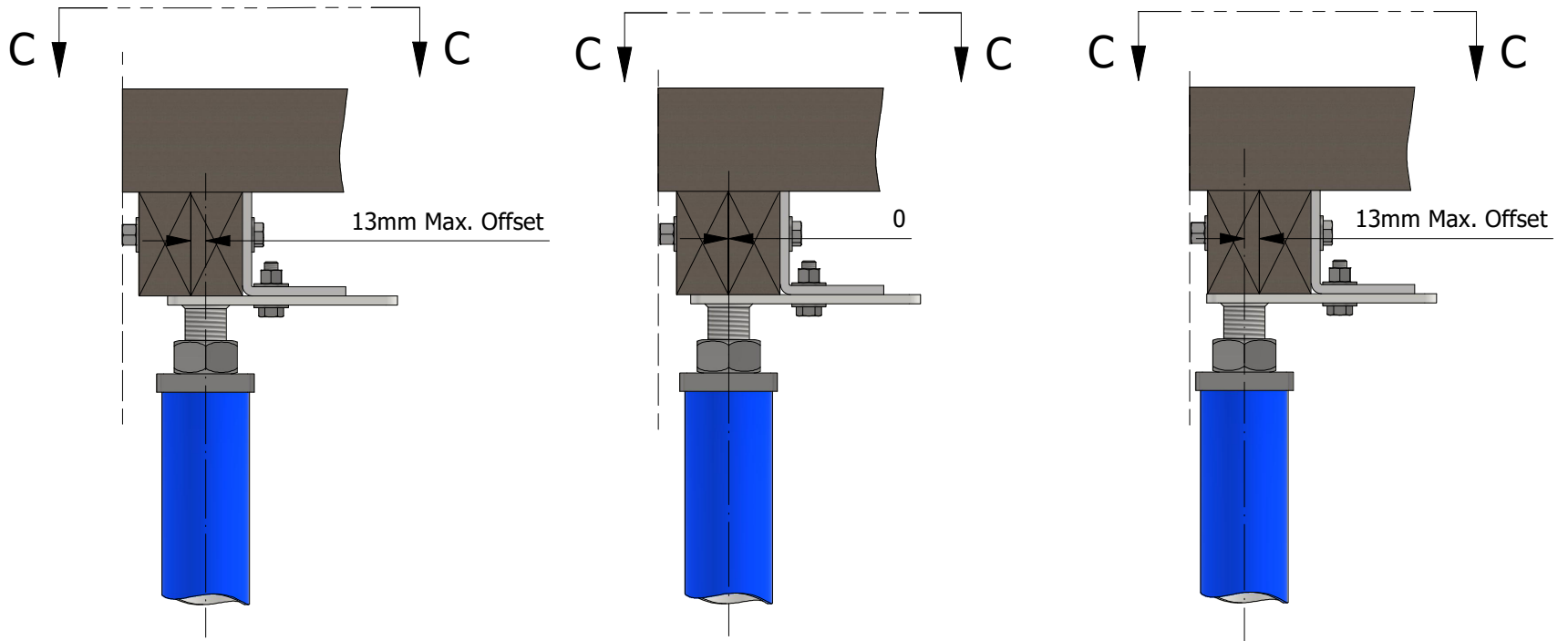
- The Katana Raised Floor System allows for a maximum SWL of 80kN.
- Ensure all loads are positioned at the centre of the piles, with a permissible offset of $\pm 13\text{mm}$.
- A lock nut must be installed on each pile within the raised floor systems.
- A general guideline is to maintain Katana Raised Floor Systems at a height no greater than 1.5m above the ground.
- For double-storey structures, the Katana Raised Floor Pile spacing should not exceed 1.5m, while for single-storey buildings, it should not exceed 2m.
- The default coating system for the Katana Raised Floor System exposed to environments with corrosivity factors C1, C2 and C3 is galvanising.
- Collaborate with Katana to ensure the appropriate setout of piles and confirm their locations during and after installation completion.

DRAWN		8/05/2024			
JL					
CHECKED		8/05/2024		TITLE Typical Raised Floor System Plan	
MA					
SIZE	DWG NO	REV			
A3	T_000	A			
SCALE	1 / 12	SHEET 1 OF 7			


OPTION 1: 200x200 OFFSET SLOTTED BEARER PLATE



A-A VIEW



B-B VIEW

DRAWN		10/05/2024			
JL					
CHECKED		10/05/2024		TITLE	
MA				Raised Floor & Timber Section Views - Sheet 1	
SIZE		DWG NO		REV	
A3		T_001		A	
SCALE	1 / 6			SHEET 2 OF 7	

6 5 4 3 2 1

D

D

C

C

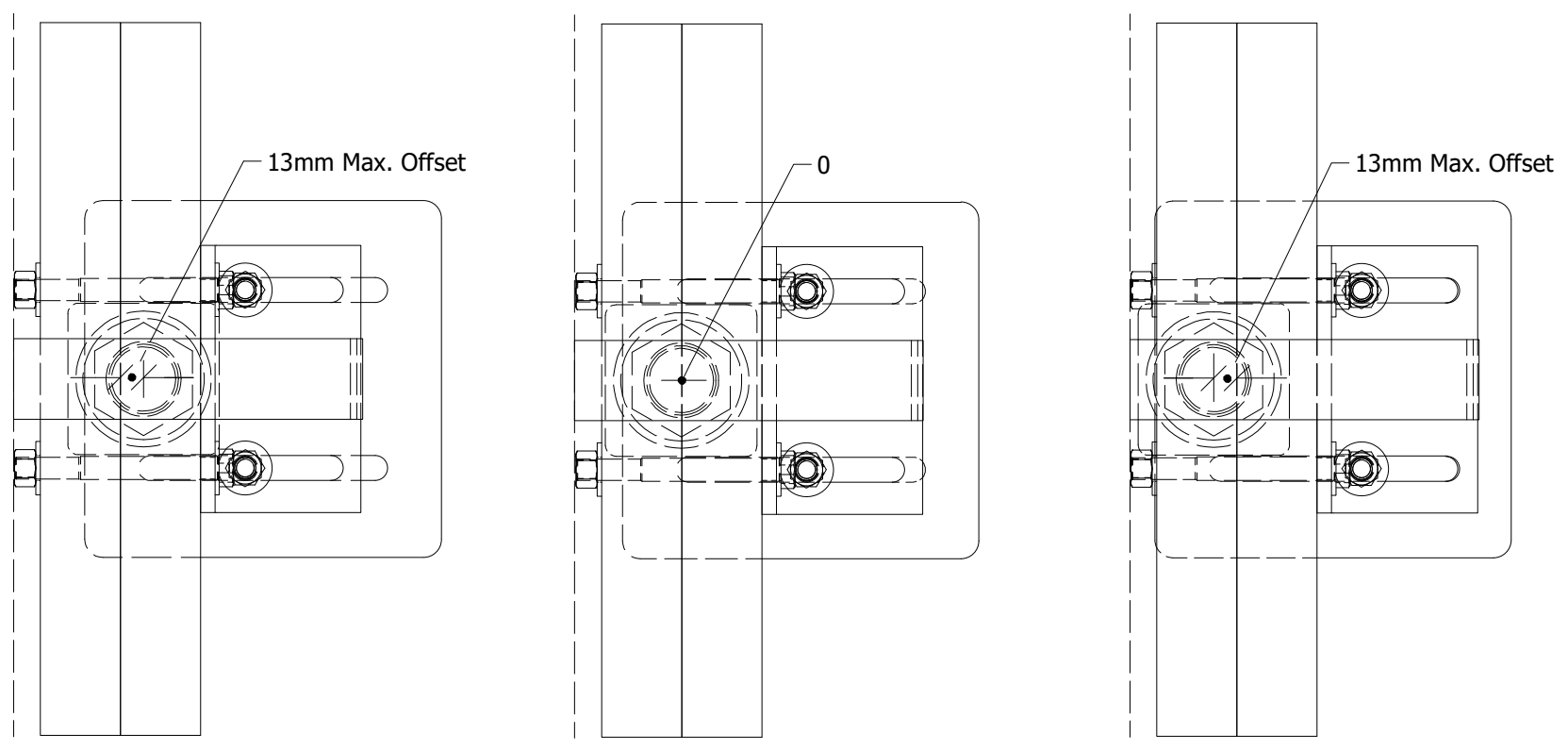
B

B


A

A

6 5 4 3 2 1



C-C VIEW

DRAWN		10/05/2024			
JL					
CHECKED		10/05/2024		TITLE	
MA				Raised Floor & Timber Section Views - Sheet 2	
SIZE		DWG NO		REV	
A3		T_002		A	
SCALE	1 / 4			SHEET 3 OF 7	

6 5 4 3 2 1

D

D

C

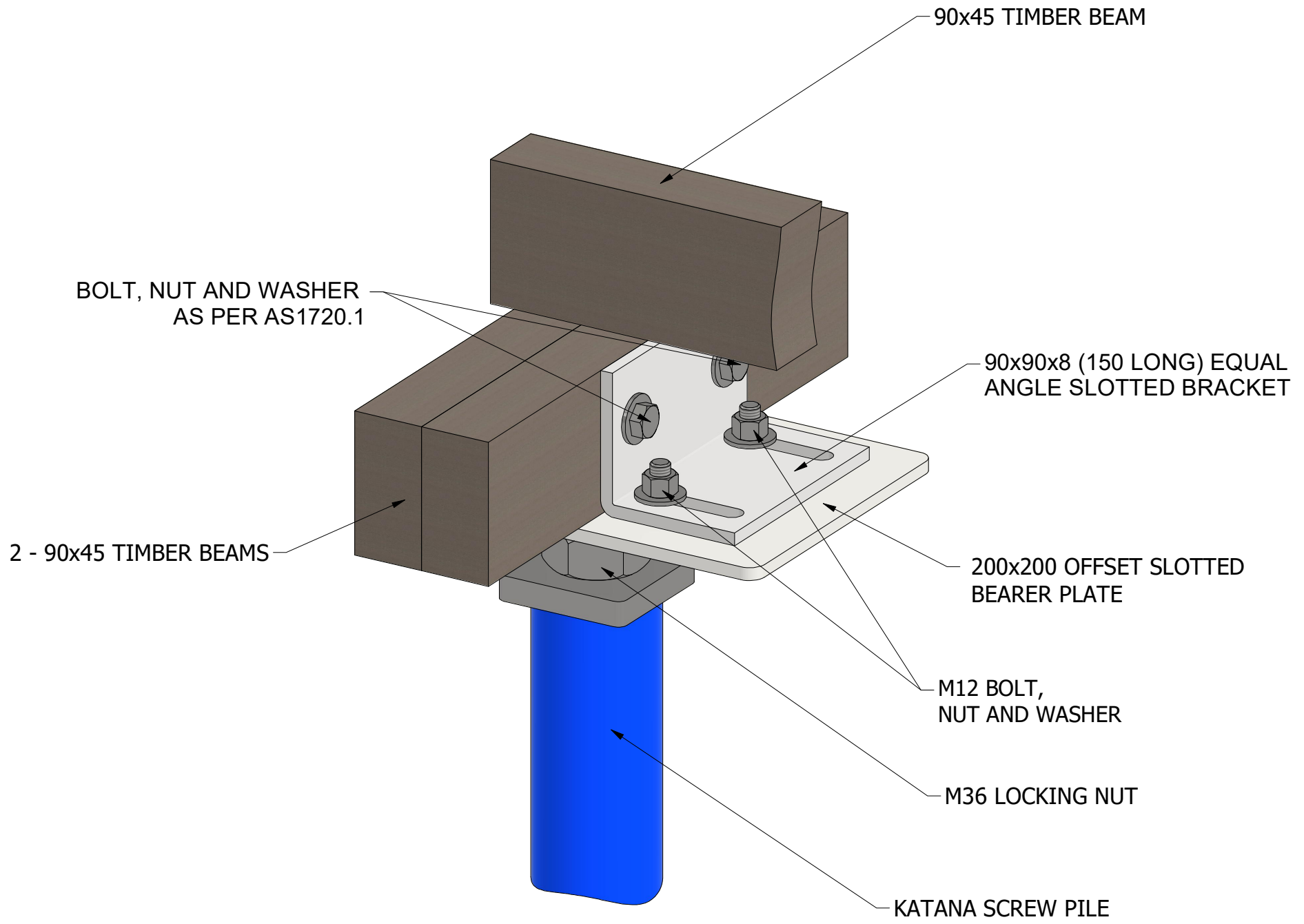
C

B

B


A

A

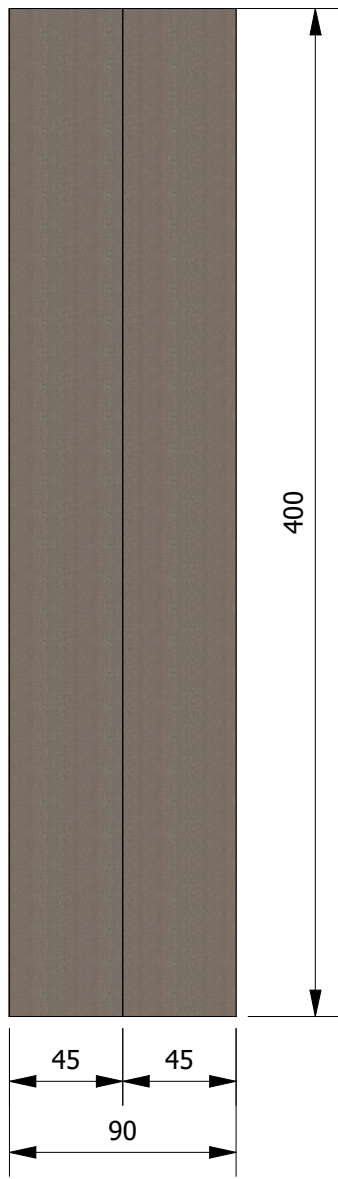


ISOMETRIC VIEW

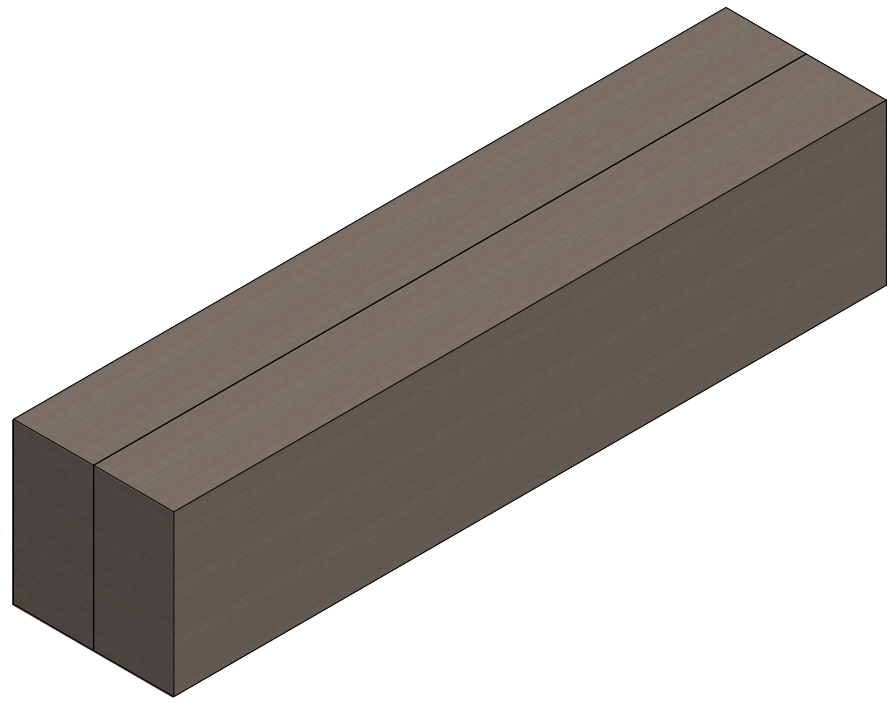
NOTE: ANT CAPS ARE NOT DEPICTED FOR CLARITY. HOWEVER, THEY ARE AVAILABLE UPON REQUEST.

DRAWN		8/05/2024			
JL					
CHECKED		8/05/2024		TITLE	
MA				Raised Floor & Timber 3D Assembly View - Sheet 1	
SIZE		DWG NO		REV	
A3		T_003		A	
SCALE	1 / 3			SHEET 4 OF 7	

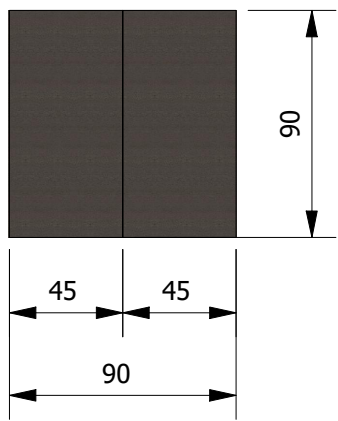
6 5 4 3 2 1



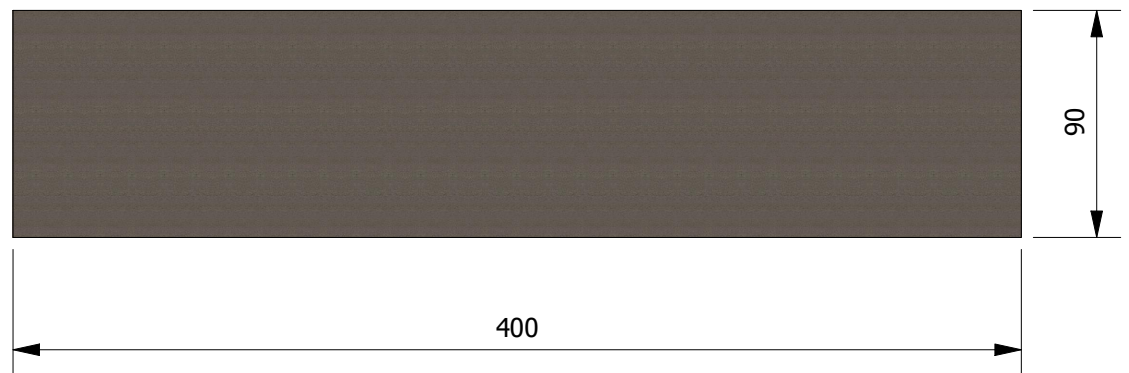
TOP VIEW




ISOMETRIC VIEW
(FOR 400mm LONG SECTION)

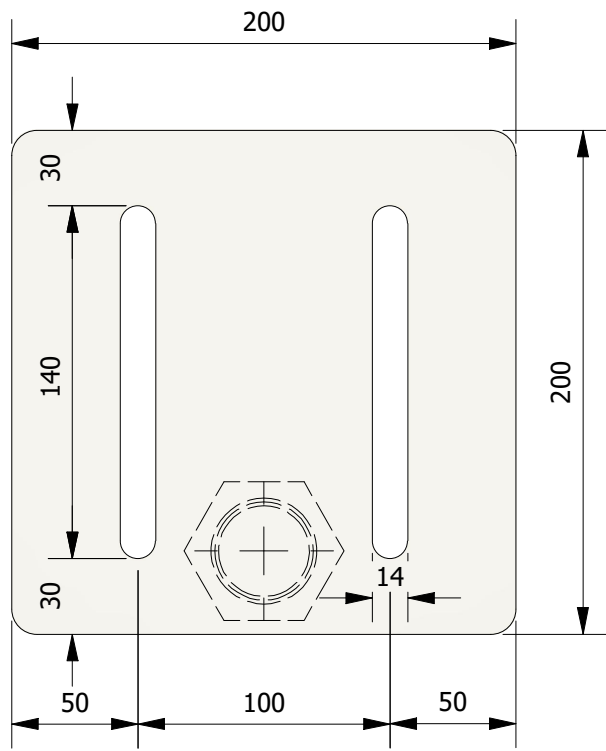


SIDE VIEW

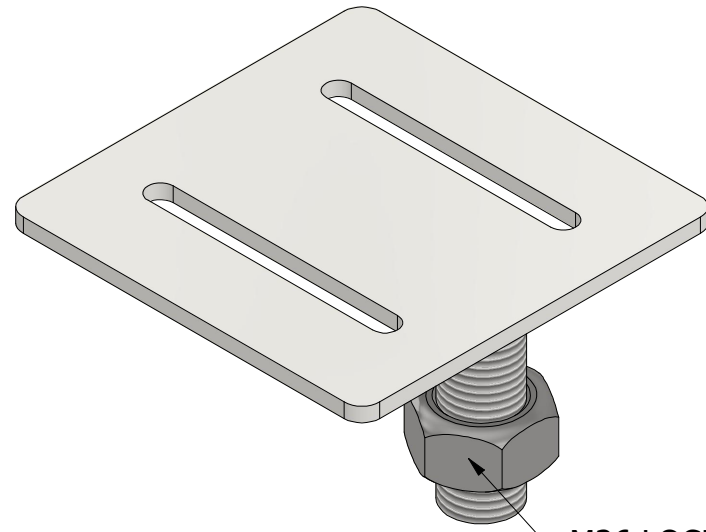


FRONT VIEW

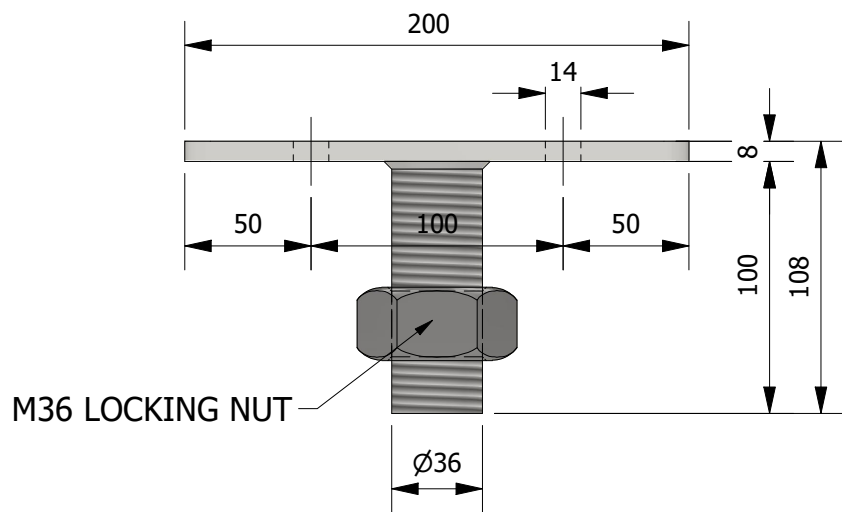
DRAWN	JL	8/05/2024			
CHECKED	Marcin	8/05/2024			
TITLE			2 - 90x45 Timber Beam		
SIZE	A3	DWG NO	T_004	REV	A
SCALE	1 / 3	SHEET 5 OF 7			



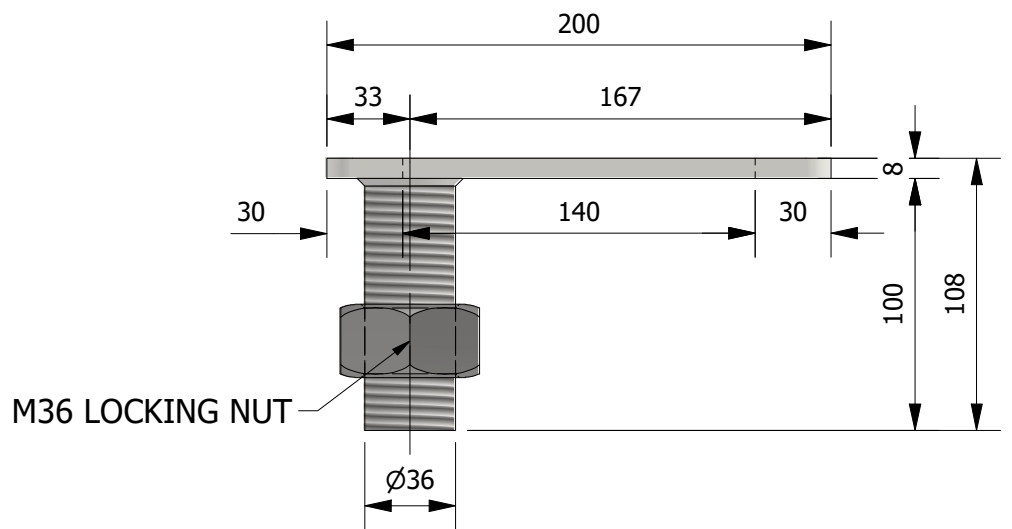
TOP VIEW




ISOMETRIC VIEW

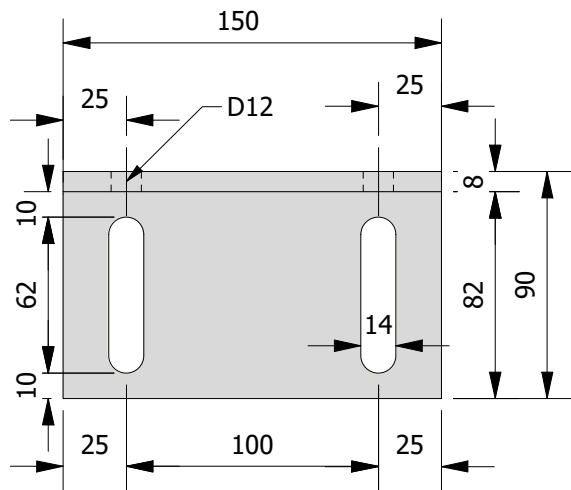


FRONT VIEW

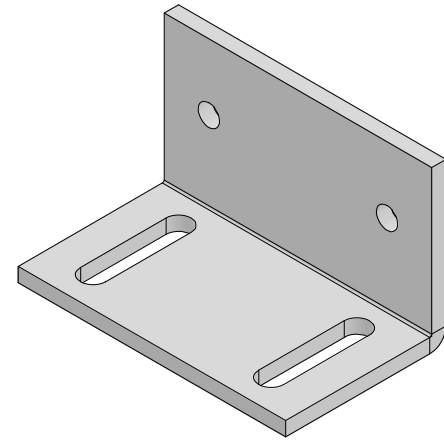


SIDE VIEW

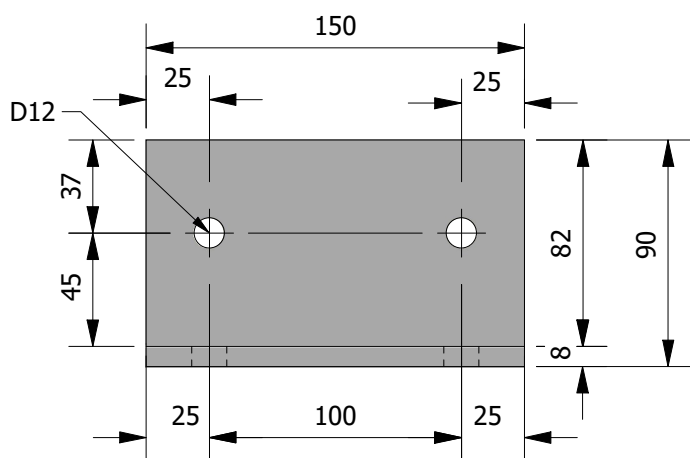
DRAWN		9/05/2024			
JL					
CHECKED		9/05/2024		TITLE	
MA				200x200 Slotted Offset Bearer Plate	
SIZE	DWG NO	REV			
A3	T_005	A			
SCALE	1 / 3	SHEET 6 OF 7			



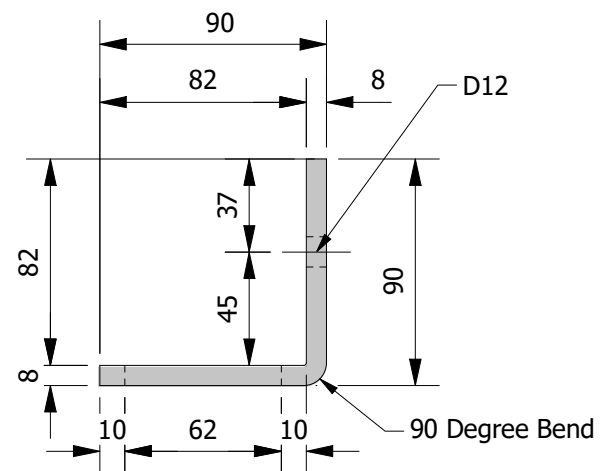
TOP VIEW




ISOMETRIC VIEW



FRONT VIEW



SIDE VIEW

DRAWN		9/05/2024			
JL					
CHECKED		9/05/2024		TITLE 90x90x8 (150 Long) Equal Angle Slotted Bracket	
MA					
SIZE		DWG NO		REV	
A3		T_006		A	
SCALE	1 / 3	SHEET 7 OF 7			