


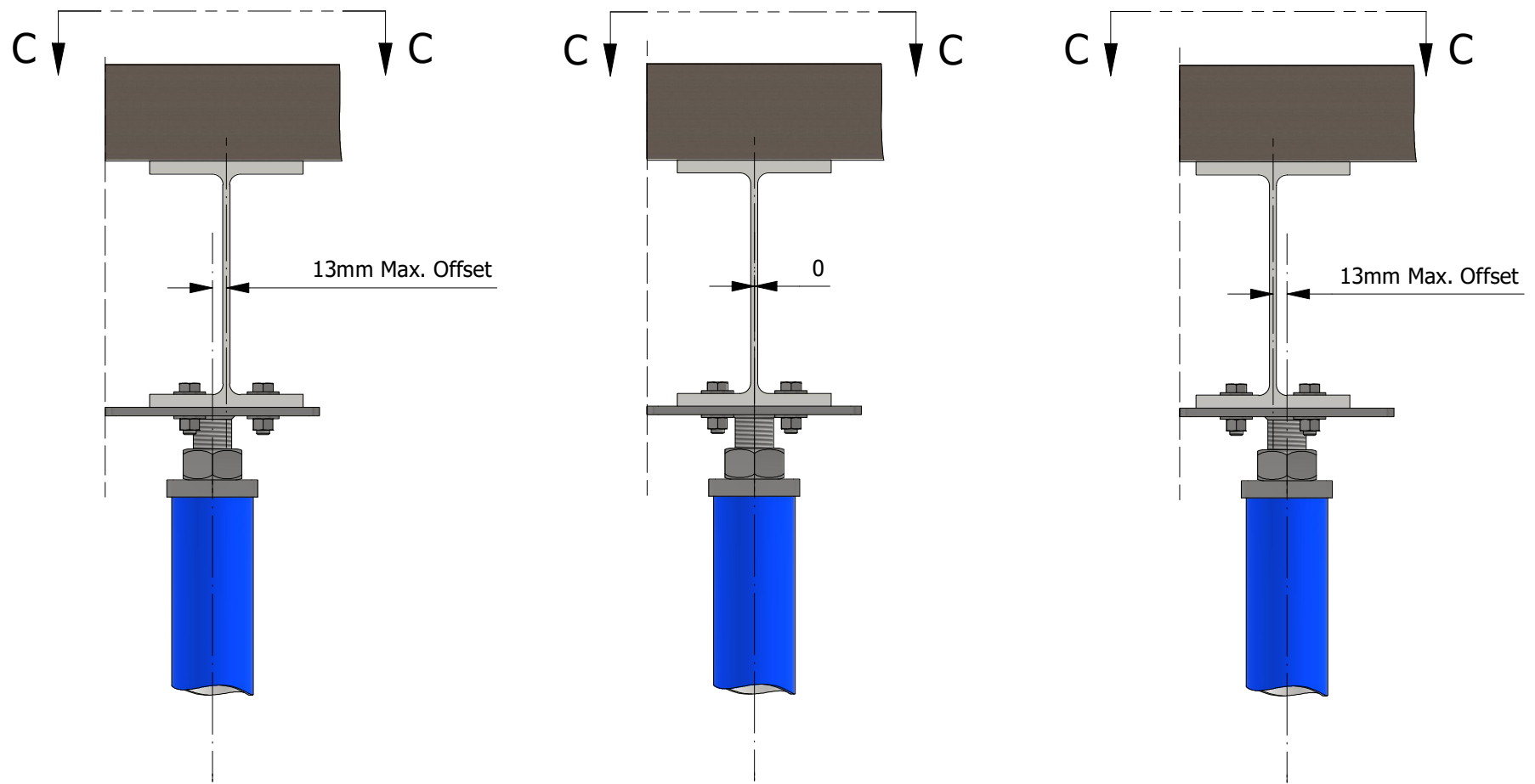
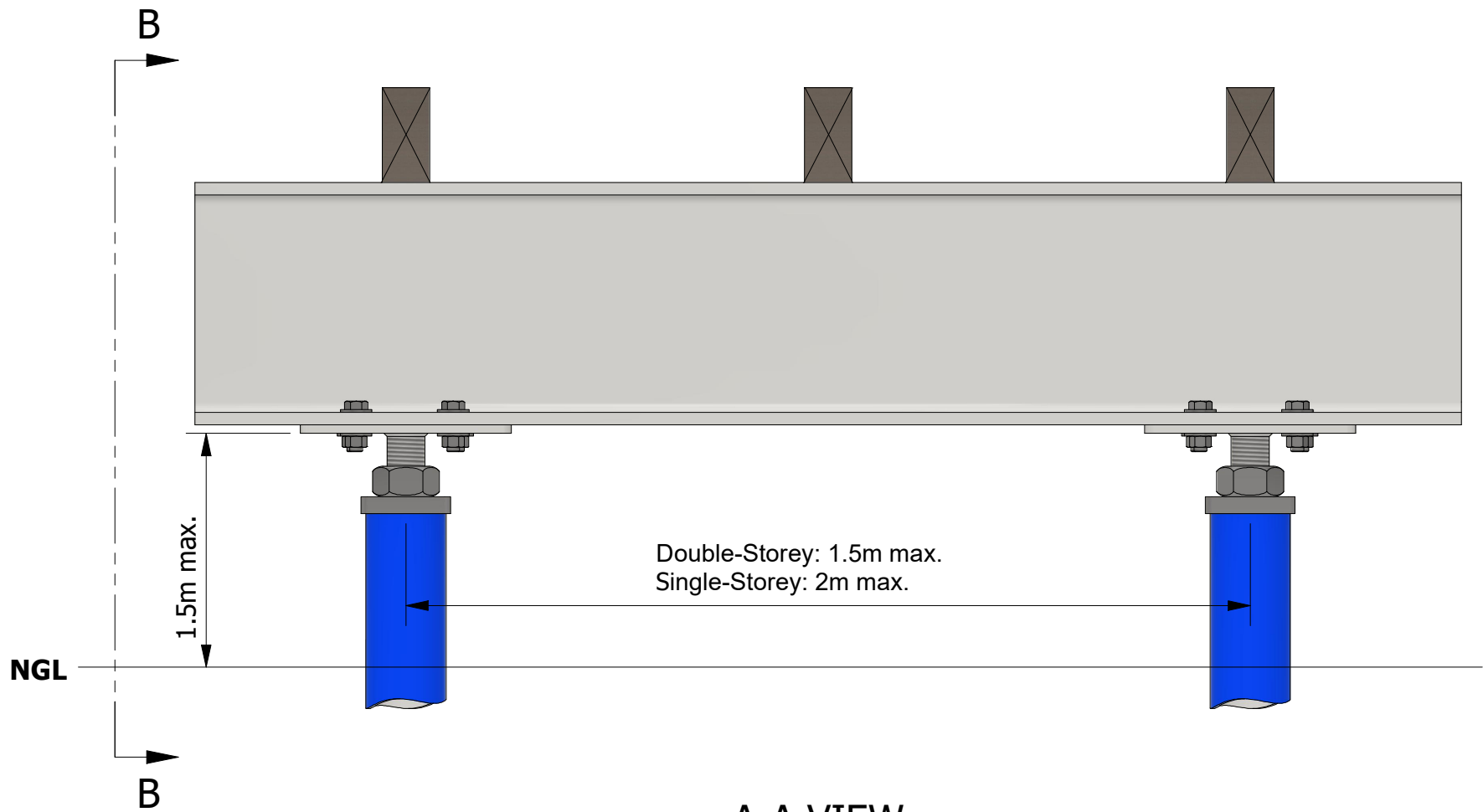
PLAN VIEW


KEY ASPECTS TO NOTE:

- The Katana Raised Floor System allows for a maximum SWL of 80kN.
- Ensure all loads are positioned at the centre of the piles, with a permissible offset of $\pm 13\text{mm}$.
- A lock nut must be installed on each pile within the raised floor systems.
- A general guideline is to maintain Katana Raised Floor Systems at a height no greater than 1.5m above the ground.
- For double-storey structures, the Katana Raised Floor Pile spacing should not exceed 1.5m, while for single-storey buildings, it should not exceed 2m.
- The default coating system for the Katana Raised Floor System exposed to environments with corrosivity factors C1, C2 and C3 is galvanising.
- Collaborate with Katana to ensure the appropriate setout of piles and confirm their locations during and after installation completion.

DRAWN JL		15/04/2024			
CHECKED MA		15/04/2024			
TITLE				Typical Raised Floor System Plan	
SIZE A3	DWG NO UB_000		REV A		
SCALE	1 / 12	2		SHEET 1 OF 6	

6 5 4 3 2 1



DRAWN		15/04/2024			
JL					
CHECKED		15/04/2024		TITLE	
MA				Raised Floor & UB Section Views - Sheet 1	
SIZE		DWG NO		REV	
A3		UB_001		A	
SCALE	1 / 8			SHEET 2 OF 6	

6 5 4 3 2 1

6 5 4 3 2 1

D

D

C

C

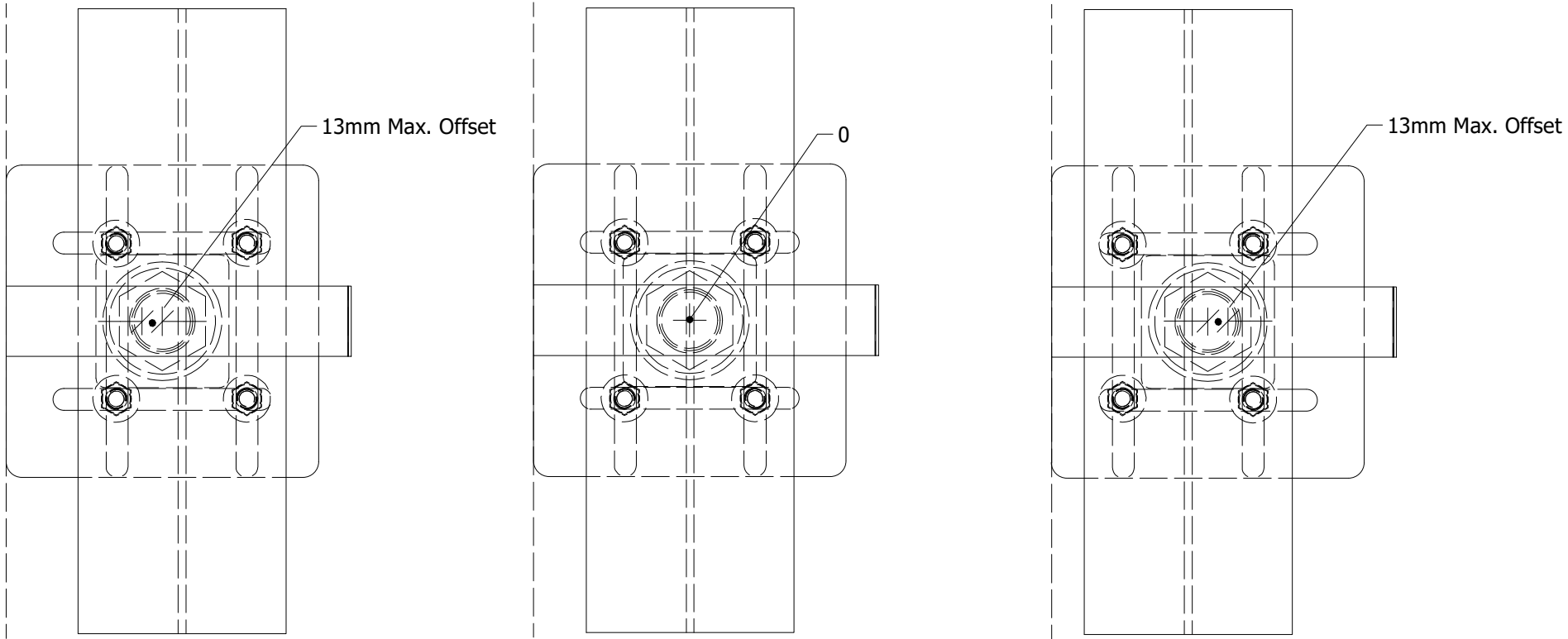
B

B


A

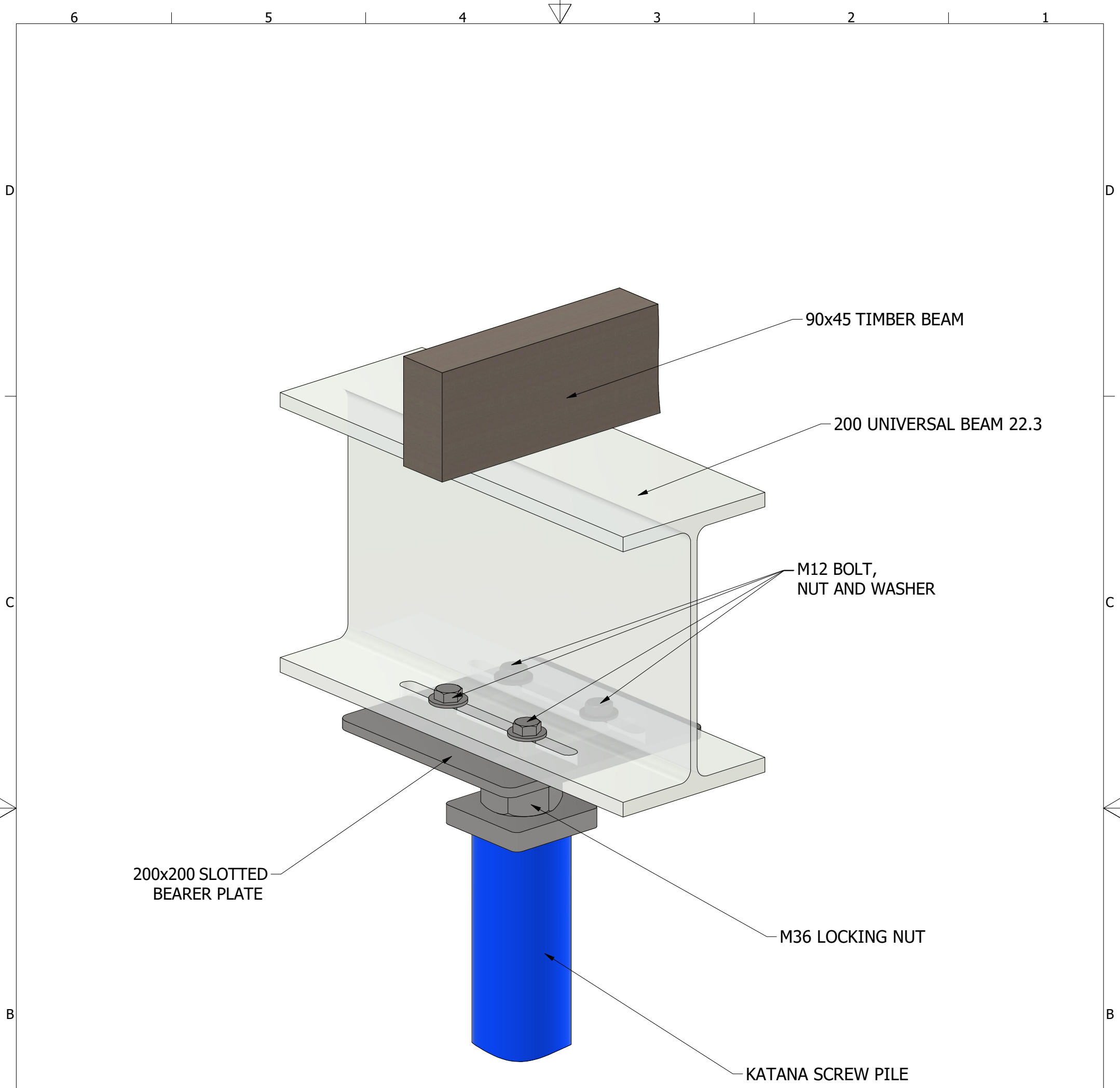
A

6 5 4 3 2 1




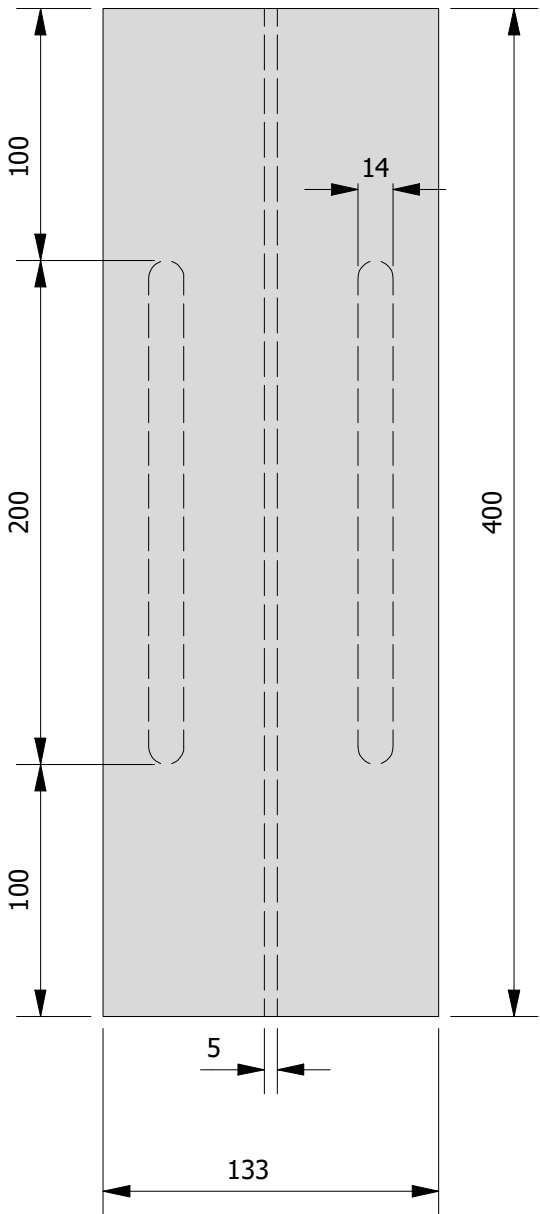
C-C VIEW

DRAWN		15/04/2024			
JL					
CHECKED		15/04/2024		TITLE Raised Floor & UB Section Views - Sheet 2	
MA					
				SIZE A3	
				DWG NO UB_002	
				REV A	
		SCALE 1 / 4		SHEET 3 OF 6	

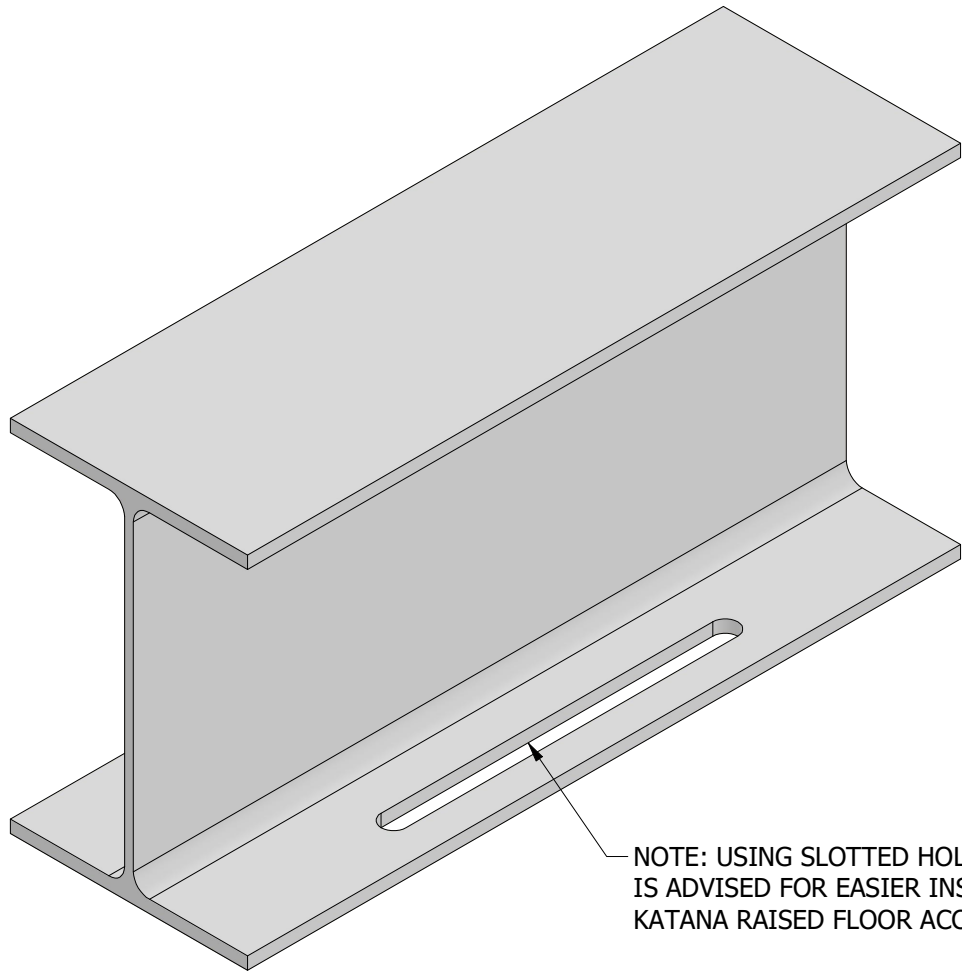


ISOMETRIC VIEW

DRAWN		8/05/2024									
JL											
CHECKED		8/05/2024		TITLE Raised Floor & UB 3D Assembly View							
MA											
				<table border="1"> <tr> <td>SIZE</td> <td>DWG NO</td> <td>REV</td> </tr> <tr> <td>A3</td> <td>UB_003</td> <td>A</td> </tr> </table>		SIZE	DWG NO	REV	A3	UB_003	A
SIZE	DWG NO	REV									
A3	UB_003	A									
		SCALE 1 / 3		SHEET 4 OF 6							

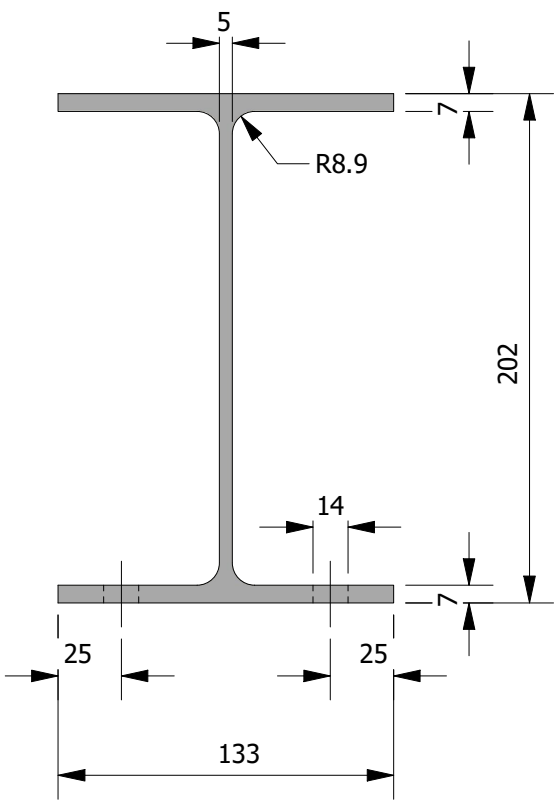


TOP VIEW

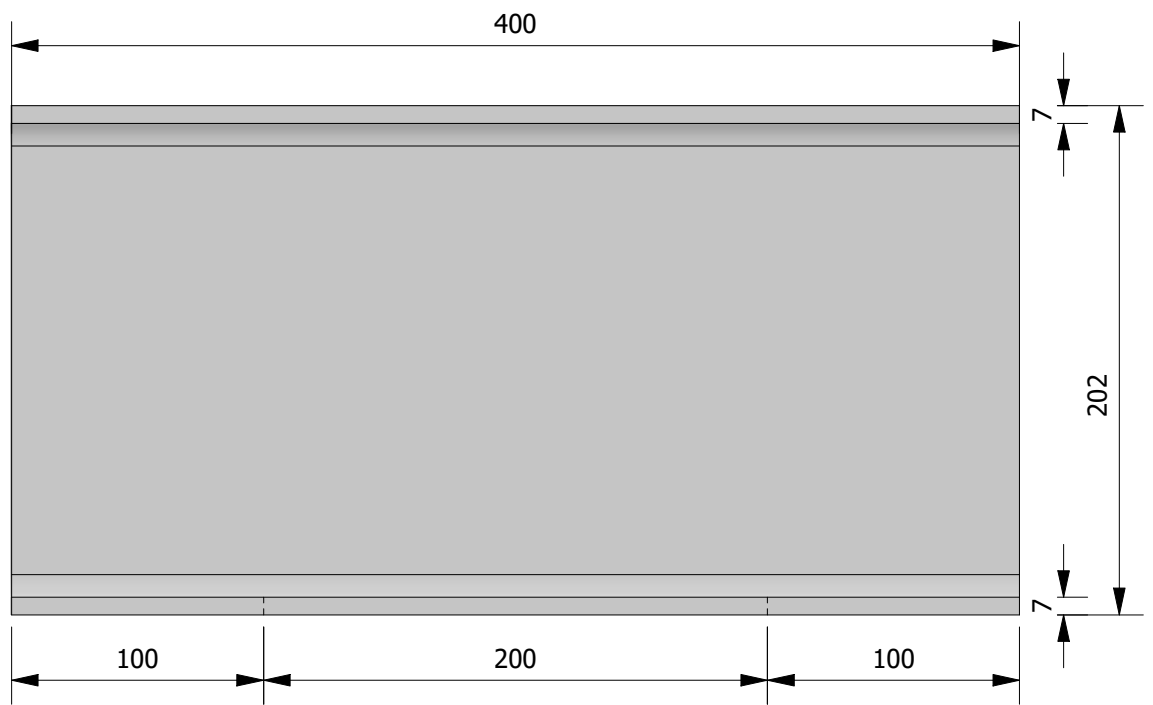


NOTE: USING SLOTTED HOLES IS ADVISED FOR EASIER INSTALLATION OF KATANA RAISED FLOOR ACCESSORIES


**ISOMETRIC VIEW
(FOR 400mm LONG SECTION)**

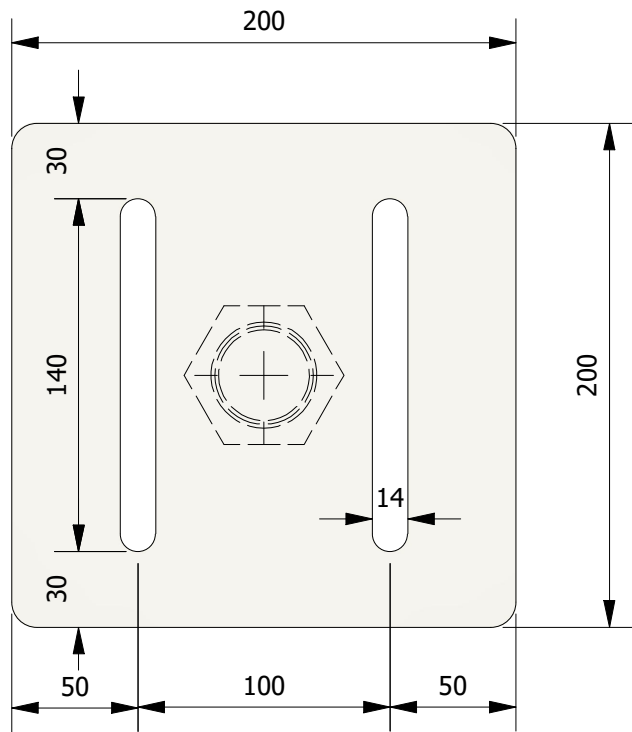


SIDE VIEW

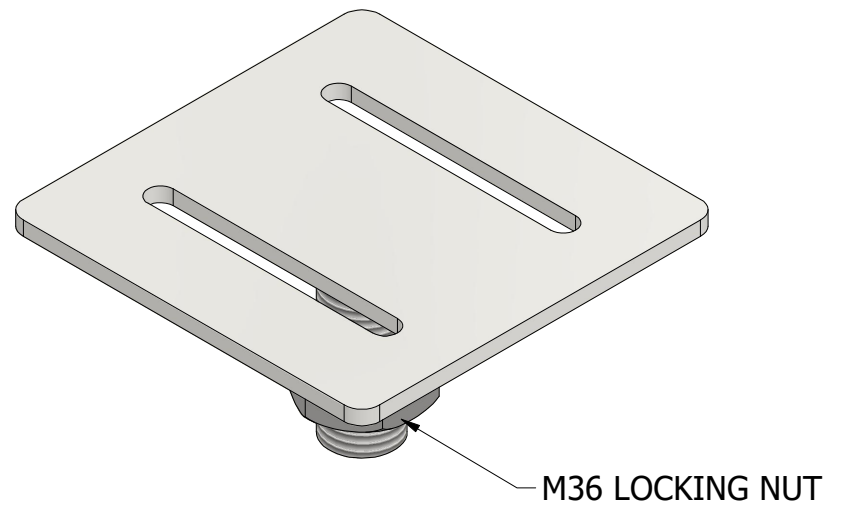


FRONT VIEW

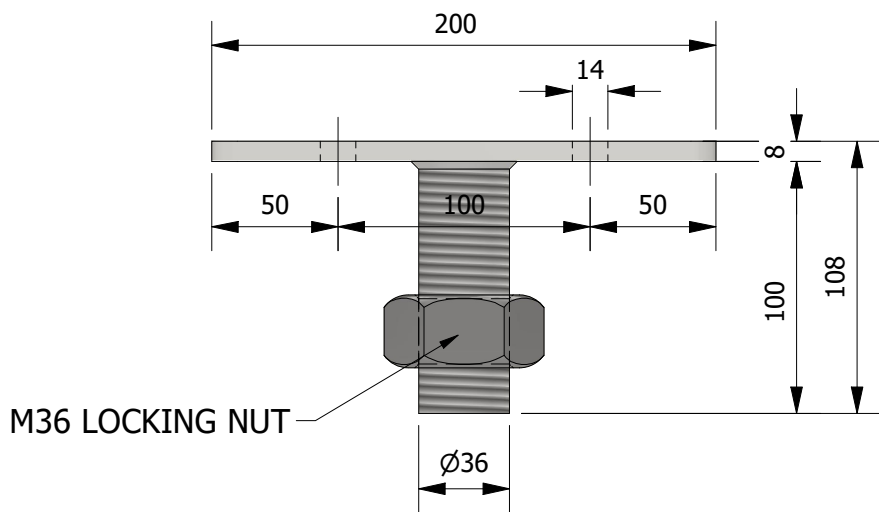
DRAWN	JL	8/05/2024			
CHECKED	MA	8/05/2024			
TITLE			200 Universal Beam 22.3		
SIZE	A3	DWG NO	UB_004	REV	A
SCALE	1 / 3	SHEET 5 OF 6			



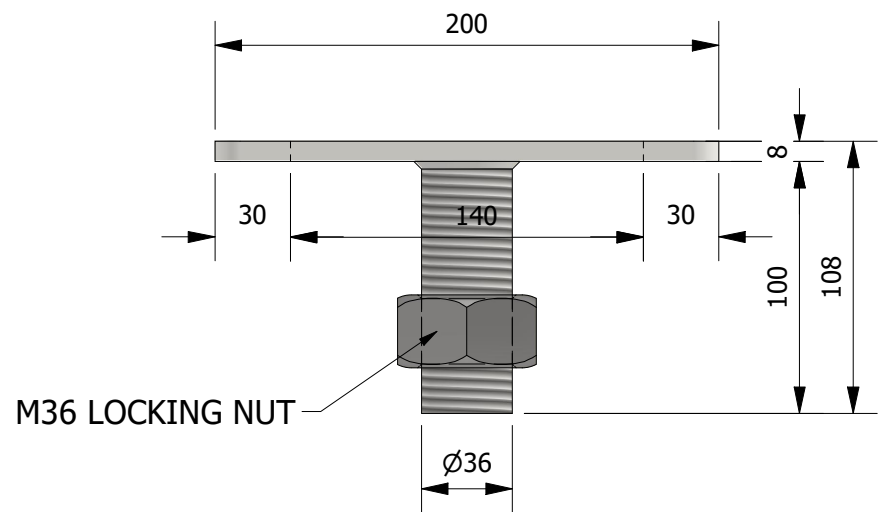
TOP VIEW




ISOMETRIC VIEW



FRONT VIEW



SIDE VIEW

DRAWN		9/05/2024			
JL					
CHECKED		9/05/2024		TITLE	
MA				200x200 Slotted Bearer Plate	
SIZE	DWG NO	REV			
A3	UB_005	A			
SCALE	1 / 3	SHEET 6 OF 6			